

QPD2-30-400-K1-N

2-Way, 0.03~0.4GHz

Features:
 * Small Size
 * Low Insertion Loss

Applications:
 * Amplifiers
 * Mixers
 * Antennas
 * Laboratory Test

Electrical

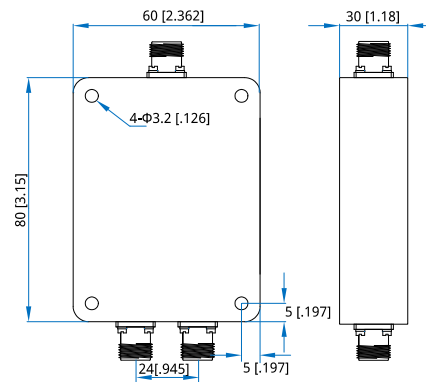
Frequency:	0.03~0.4GHz
Insertion Loss:	0.5dB max.
VSWR:	1.35 max.
Isolation:	20dB min.
Amplitude Balance:	0.1dB max.
Phase Balance:	3° max.
Average Power:	100W

Mechanical

Size ^{*1} :	60*80*30mm 2.362*3.15*1.18in
Connectors:	N Female
Mounting:	4-Φ3.2mm through-hole

[1] Exclude connectors.

Outline Drawings



Unit: mm [in]
 Tolerance: ±0.5mm [±0.02in]

How To Order

QPD2-30-400-K1-N

Customization is available upon request.